

*KLIS360 is the new Italian mini dome camera Wide View and Megapixel. The special lens allows a wide angle of view up to 135° horizontal and 119° vertical.*



Indoor Version



## FEATURES

- Ethernet Camera with high resolution sensor of 5.0 Megapixel
- Hemispherical covering at 135°
- No mechanical parts in movement
- Indoor anti-vandal housing
- Outdoor housing IP66
- Video Analytics optional
- Transmission bandwidth configurable
- Fully Configurable Through Web-Based Network Management
- Time-Stamp and title directly on images
- Integrated in Genetec Omnicast software of Network Video Recorder

The KLIS360 mounts a sophisticate lens of 1.3mm with low distortion capability.

Unlike a fisheye lens which only illuminates about 2/3 of the image sensor (leaving 1/3 of the pixels dark), the image of KLIS360 lens completely covers the image sensor. The cost per useful pixel is reduced.

The special lenses of the KLIS360 allows a fields of view of up to 135° while almost completely eliminating barrel image distortion. Straight lines remain straight in the image, . In many situations this eliminates the need to install multiple cameras, saving the user money on installation, cabling, and cameras.

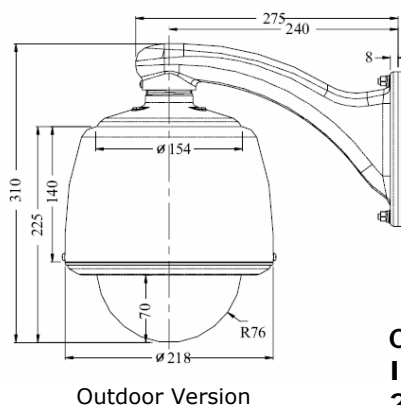
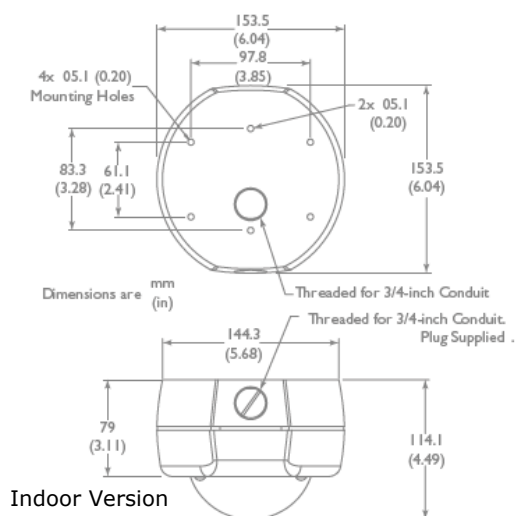


Outdoor Version



<u>Model</u>	<u>KLIS 360-5M-I</u>	<u>KLIS 360-5M-E</u>	
Sensor Type	5.0 Megapixel CMOS 1/25"		
Active Pixel	2560(H) x 1920 (V) pixels		
Dynamic range	60dB		
Minimum illumination	2 lux color / 0.5 lux monochrome		
Auto recovery	embedded watchdog		
I/O	1 alarm input, 1 relay output		
<u>Codec Video</u>			
Interfaces	10/100 Base-T (RJ45)		
Protocols	TCP/IP, HTTP, FTP, RTP/RSTP, DHCP		
Authentication	Password and Username		
Compression type	JPEG and MJPEG		
<u>General specification</u>			
Operation temperature	-10° C ~ 45° C	-30° C ~ 60° C	
Housing	Polycarbonate dome on custom aluminum housing	Dome aluminum Housing	
Protection	IP66		
Dimension (W x H x L)	153.5mm x 153.5 mm x 114.1 mm	218 Ø x 225 mm (310 wall mount)	
Power supply	12VDC / 24VAC		
Power consumption	4.0 W maximum	35 W maximum	
<u>Lenses</u>			
	<u>-50</u>	<u>-120</u>	<u>-135</u>
Focal length	6mm	1.67mm	1.28mm
Field of view	H 50° V 39° D 67°	H 120° V 104° D 130°	H 135° V 119° D 141°
F stop	F=1:1.2 ~ 16	F/1.8 ~ ∞	
Iris	Auto / Manual		
Resolution	Up to 5 Megapixel		
Distortion	-0.2 %	< 3%	
Minimum focus	0.1 cm	10 cm	1cm
Pan – Focus distance	10 cm ~ ∞		
Dimension	Ø21mm x 15.4mm	Ø36mm x 56mm	Ø33mm x 59mm

Specifications subjects to change without notice.



**Compliance FCC, CE  
ISO 9001:2000  
2 years Warranty**